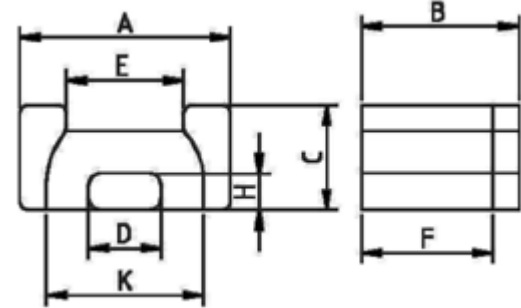
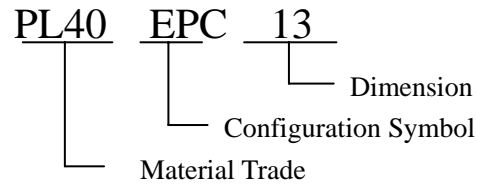


# Mn-Zn Ferrite EPC Cores



Ordering code	Dimensions (mm)								Effective Parameter					AL (±25%) (1kHz.50mV.HP4284A)	
	A	B	C	D	E	F	H	K	C1(mm <sup>-1</sup> )	Ae(mm <sup>2</sup> )	Le(mm)	Ve(mm <sup>3</sup> )	We(g)	PL40	PL44
<b>EPC13</b>	13.20±0.25	6.60±0.20	4.60±0.15	5.60±0.15	8.30min	4.50±0.20	2.50±0.10	10.7±0.20	2.460	30.6	12.5	382	1.74	910	770
<b>EPC17</b>	17.50±0.30	8.55±0.20	6.00±0.15	7.70±0.15	14.5±0.30	6.05±0.20	2.80±0.10	12.0±0.50	1.780	40.2	22.8	917	4.80	1360	1140
<b>EPC19</b>	19.10±0.40	9.75±0.20	6.00±0.15	8.50±0.15	13.10min	7.15±0.20	2.50±0.10	15.8min	2.030	46.1	22.7	1047	5.34	940	750